



# Bathroom extract fans

## SILENT-100 Series

### SILENT-100



Range of axial extractors with airflow rates of approx. 95 m<sup>3</sup>/h, for connection to 100 mm diameter circular ducting. Motor mounted on silent-elastic-blocks which absorb the vibrations and allow offering very low noise level. All the fans are manufactured from injection moulded plastic, fitted with automatic shutter and single phase 230V-50Hz, class B low consumption motor equipped with thermal overload protection. All the fans are class II insulation, IP45 rated and suitable to operate with air temperature up to 40°C.

#### + Attributes



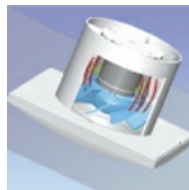
##### Back draft shutter

To prevent air entry and limit heat leakage when the extractor is not operating. It opens due to the pressure of the air.



##### Silent-blocks

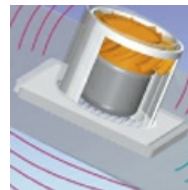
Motor mounted on "Silent-elastic-block" to prevent vibration and noise transmission.



##### SILENT-100

##### Quiet operation

In usual extract fans the vibrations are transmitted to the surrounding areas while in SILENT extractor fans the vibrations are absorbed by the Silent Blocks.



##### USUAL EXTRACTOR

#### + Features

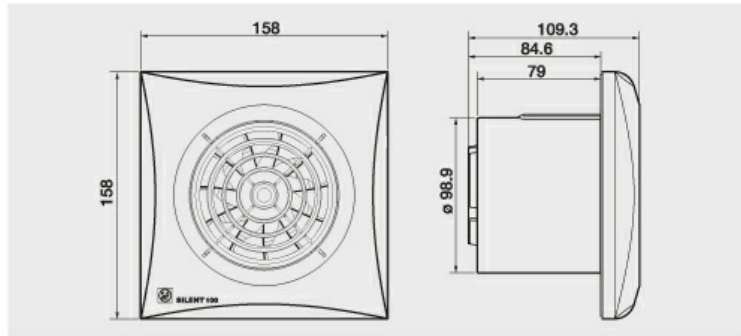
	CZ	CRZ	CRIZ	CHZ	CHZ VISUAL	CDZ	CZ 12V
PILOT LIGHT	•	•	•	•	•	•	•
BACKDRAFT SHUTTER	•	•	•	•	•	•	•
ADJUSTABLE RUN-ON-TIMER (1-30 MIN)		•		•	•	•	*
AUTOMATIC TIMER			•				
ADJUSTABLE HUMIDISTAT				•	•		
DETECTOR MOVEMENT						•	
BALL BEARINGS	•	•	•	•	•	•	•

#### + Technical characteristics

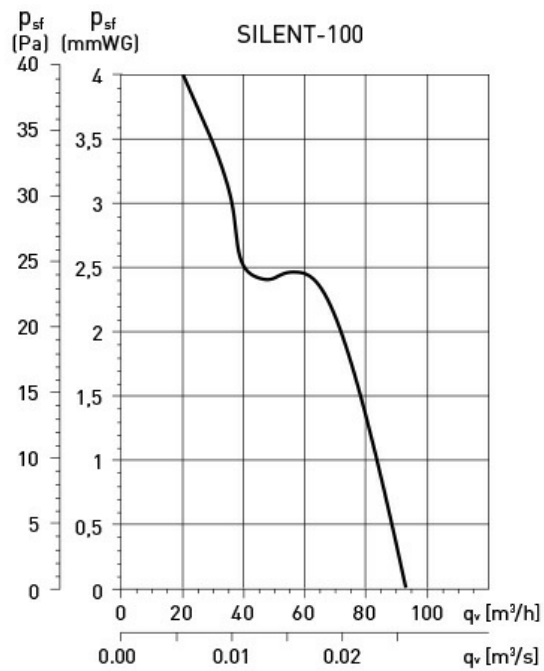
Model	Speed (r.p.m.)	Abs. power at free discharge (W)	Voltage (V) 50 Hz	Sound pressure level* (dB(A))	Airflow at free discharge (m <sup>3</sup> /h)	Insulation/ IP	Ø duct (mm)	Weight (Kg)
SILENT-100	2400	8	230	26,5	95	Class II / IP45	100	0,57
SILENT-100 12V	2320	13	12	26,5	95	Class III / IP57	100	0,57

\* Sound pressure level measured at 3 m at free air conditions.

## + Dimensions



## + Curves



## + Models

**SILENT-100 CZ 12V** White color version

**SILENT-100 CZ SILVER 12V** Version with a silver color front grille



**IP57**

WATER  
PROTECTED!



Model SELV (Safety Extra Low Voltage). Specially designed to operate within the shower or bath volume with total safety. They are rated 12V, Class III and IP57.

SILENT-100 12V must be wired to a safety isolating **Transformer CT-12/14** which must be located out of the reach of the water spray or person using a bath or shower. The transformer is IP21, class II insulation and protected by fuse. Also available, **Transformer CT12/14 R**, supplied with adjustable run-on-timer between 1 to 30 minutes.

### **KIT SILENT-100 CZ 12V + CT**

Kit integrated by an extractor SILENT-100 CZ 12V and a safety isolating transformer CT-12/14.

---

### **SILENT-100 CDZ**



Model provided with a PIR (passive infra-red) detector. The unit starts automatically when a movement is detected within a maximum distance of 4 meters from the fan. They are also fitted with an adjustable "run on" timer, from 1 to 30 minutes, to allow the fan continues operating after the initiation of the movement detection.

---

### **SILENT-100 CHZ VISUAL**



Models provided with an electronic humidistat which can be adjusted to 60, 70, 80 or 90% HR using a key situated on the front grille. Four luminous indicators show the desired level of humidity. The extractor operates automatically when the humidity level in the room is higher than the set level. The extractor will stop automatically when the humidity drops below the selected level and after the selected period set on the adjustable timer [1 and 30 minutes].

## + Mounting Accessories



**GSA-100**  
Flexible aluminium  
ducting.



**GRA-75**  
Aluminium exterior  
grille.



**WALL KIT**  
Fixed shutter and  
telescopic duct.  
(200 to 420 m).



**CX-80/125**  
Worm drive ducting  
clip.



**PER-100W**  
Back draft shutter.



**WINDOW KIT 100**  
Accessory to allow  
SILENT-100 in a  
window.