



TECHNICAL OFFER



QUANTITY	DESCRIPTION	POWER (KW)	MAX (RPM)	WIGHT (KG)	WORKING TEMPRATURE C	AIR VOLUME (M3/HR)
1	Nicotra 12-12	2.2	1400	120	-20 / 80+	8600

Fan Components and Material Properties

The BHV double suction centrifugal box fan housing and fan are made of high quality galvanized steel that is resistant to corrosion. 25 mm stone wool was placed between the panels. Carcass structure is made of aluminum profile. Asynchronous motor belt pulley drive system is used. The device is capable of handling air at max. 40°C.

Fan Structure

The fan blades are aerodynamically structured to provide forward flow and regular flow.

Benefits

They provide maximum efficiency with low energy. It is acoustically insulated against sound and it has the feature of vibration-free operation. Thanks to the service cover in the construction, it provides easy intervention to maintenance and faults. Prevents unnecessary pressure losses due to the option of selecting the direction of air blowing and suction nozzles.

Speed Control

Belt pulley system is made by changing the conversion rate.

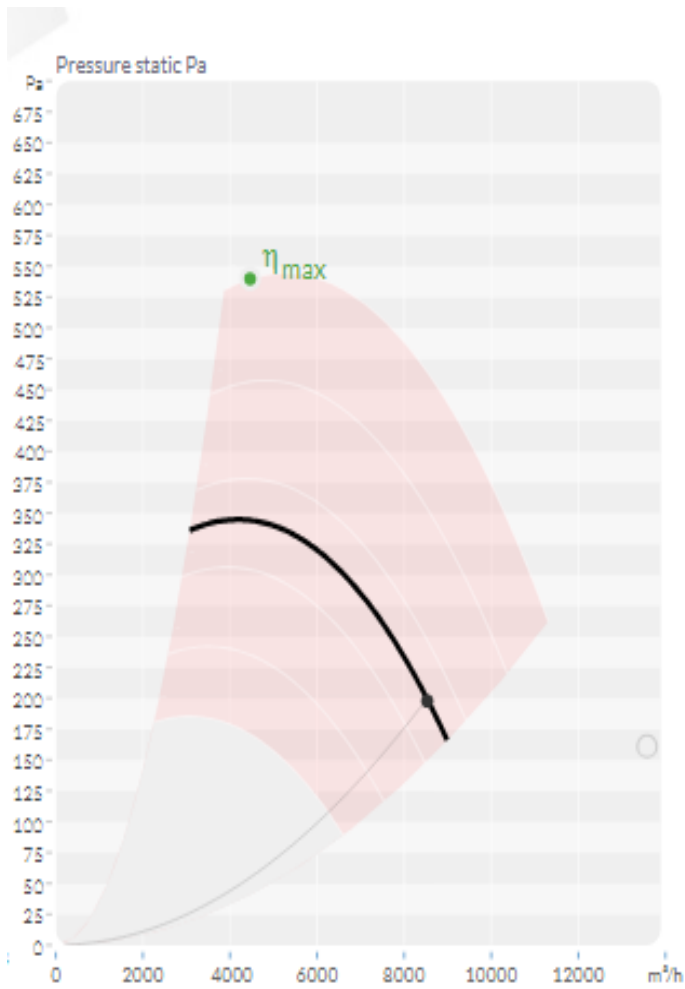
Usage Areas

Workplaces, offices, factories, hospitals, restaurants etc. used in large quantities where fresh air is required. It must be used with the filter in the exhaust vent.



● Duty point ● Maximum efficiency point

Flow	Q	8600 m ³ /h	4500 m ³ /h
Static pressure	Δp_{ST}	200 Pa	540 Pa
Total pressure	Δp_{TOT}	390 Pa	592 Pa
Dynamic pressure	Δp_{DYN}	190 Pa	52 Pa
Speed	v	17.75 m/s	9.29 m/s
Instantaneous Rotational Speed	n	955 rpm	1200 rpm
Power	P _{ABS}	1922 W	1141 W
SFP	SFP	805 W/m ³ /s	913 W/m ³ /s
Static efficiency	η_{ST}	24.9 %	59.1 %
Total efficiency	η_{TOT}	48.5 %	64.8 %

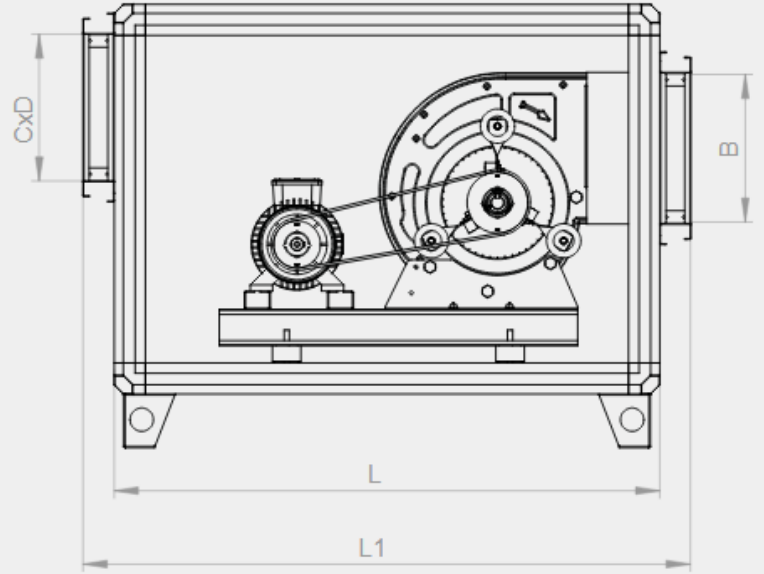
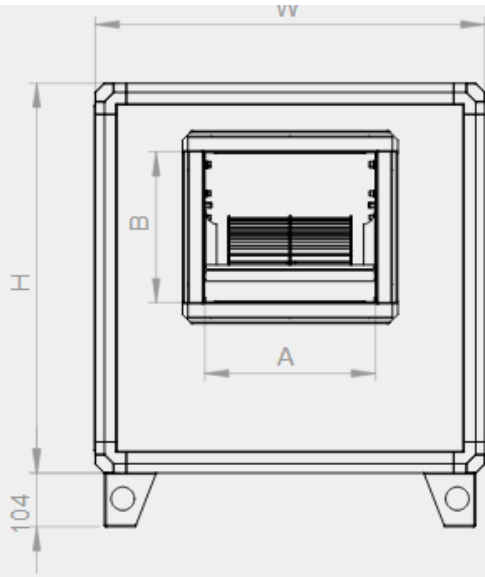


العنوان : 6 اكتوبر - الحى ال 12 - ميدان ليلة القدر - مكتب 22 هـ مول السويدى الدور الثانى

01012715614-01203344561

www.arabiaex.com

arabiaexco@gmail.com



A	B	C	D	H	L	L1	W
mm	mm	mm	mm	mm	mm	mm	mm
400	335	715	380	800	1000	1040	800

العنوان : 6 اكتوبر - الحى ال 12 - ميدان ليلة القدر - مكتب 22 هـ مول السويدى الدور الثانى

01012715614-01203344561

www.arabiaex.com

arabiaexco@gmail.com