

# Box-D

## Exhaust centrifugal fans

### Use

- Extract ventilation systems installed in various premises.
- Mounting into suspended ceiling.
- Compatible with Ø 100, 125 and 150 mm round air ducts.



**Air flow:**  
up to 531 m³/h  
148 l/s



**Power:**  
from 56 W



**Noise level:**  
from 42 dBA



### Design

- Compact galvanized steel casing.
- The front panel is made of ABS plastic and is equipped with a replaceable filter.
- The filter protects motor, impeller and air ducts against soiling.
- Fitted with a spring-loaded damper for back drafting prevention.
- The connection spigot is equipped with rubber seal.
- External terminal block for power supply.

### Motor

- Single-phase external rotor motor. Centrifugal impeller with backward curved blades.
- Equipped with ball bearings for longer service life.
- Integrated thermal protection with automatic restart.
- Dynamically balanced impeller.

### Speed control

- Smooth speed control with an external thyristor controller or step speed control with an external auto transformer (both available upon separate order).

### Mounting

- The fan is installed between ceiling and false ceiling by fixing brackets supplied as a standard.
- Power is supplied to the fan through an external terminal box.
- Flexible air duct is fixed on the fan spigot with a clamp.

### Modifications and options

- L: low-powered and low-noise motor.

#### Designation key

Series	Duct diameter [mm]	Options
Box-D	100; 125; 150	_ : standard motor L: low-powered motor

### Overall dimensions [mm]

Type	Ø D	B	H	H1	L	Weight [kg]	Fig. No.
Box-D 100 L	100	240	160	189	305	2.9	1
Box-D 100	100	240	160	189	305	3.2	1
Box-D 125 L	125	240	160	189	305	2.9	1
Box-D 125	125	240	160	189	305	3.2	1
Box-D 150	149	355	180	215	419	6.5	2

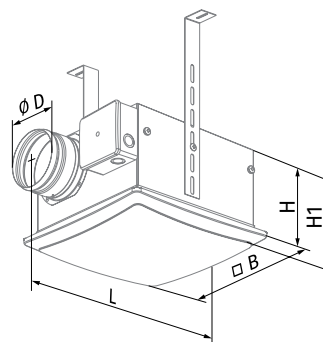


Fig. 1

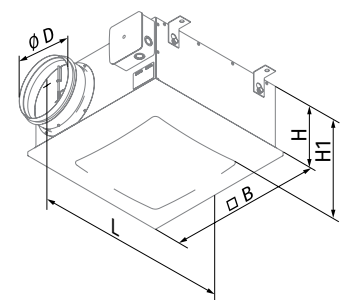


Fig. 2

#### Accessories

Silencers

Speed controllers

Timers/Sensors



SD



CDT E1.8



TE(TI) / HSE(HSI) / LSE(LSI) / IRSE(IRSI)

### Technical data

Parameters	Box-D 100 L		Box-D 100		Box-D 125 L		Box-D 125		Box-D 150	
Voltage [V]	1 ~ 230		1 ~ 230		1 ~ 230		1 ~ 230		1 ~ 230	
Frequency [Hz]	50	60	50	60	50	60	50	60	50	60
Power [W]	56	58	61	79	56	58	61	81	112	136
Current [A]	0.34	0.35	0.26	0.35	0.34	0.35	0.26	0.36	0.5	0.6
Air flow [m³/h (l/s)]	190 (53)	205 (57)	240 (67)	250 (69)	225 (63)	240 (67)	310 (86)	320 (89)	485 (135)	531 (148)
RPM [min <sup>-1</sup> ]	2300	2570	2500	2730	2300	2570	2500	2740	2465	2550
Sound pressure level at 3 m [dBA]	42	43	47	48	43	44	48	49	52	53
Transported air temperature [°C]	-25...+45		-25...+50		-25...+45		-25...+50		-25...+50	
SEC class	C		C		C		C		-	
IP rating	IPX4		IPX4		IPX4		IPX4		IPX4	
Motor IP rating	IP44		IP44		IP44		IP44		IP44	
ErP	2018		2018		2018		2018		2018	

